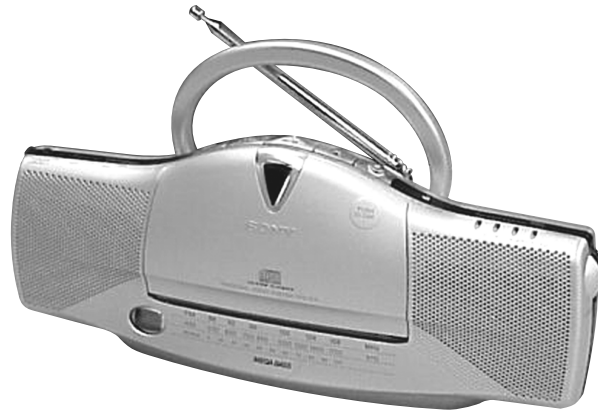


CFD-E10

SERVICE MANUAL

Ver 1.2 2003.11

US Model
AEP Model
UK Model
E Model
Tourist Model



Model Name Using Similar Mechanism	NEW
CD Mechanism Type	KSM-900AMA
Optical Pick-up Name	KSS-900A

SPECIFICATIONS

CD player section

System

Compact disc digital audio system
Laser diode properties
Material: GaAlAs
Wave length: 780 nm
Emission duration: Continuous
Laser output: Less than 44.6 μ W
(This output is the value measured at a distance of about 200 mm from the objective lens surface on the optical pick-up block with 7 mm aperture.)

Spindle speed

200 r/min (rpm) to 500 r/min (rpm)
(CLV)

Number of channels

2

Frequency response

20 - 20,000 Hz +1/-2 dB

Wow and flutter

Below measurable limit

Radio section

US model:

Frequency range

FM: 87.5 - 108 MHz
AM: 530 - 1,710 kHz

Except US model:

Frequency range
FM: Italy: 87.5 - 108 MHz/Other countries: 87.5 - 107 MHz
AM: Italy: 526.5 - 1 606.5 kHz/Other countries: 530 - 1 611 kHz

IF

FM: 10.7 MHz
AM: 455 kHz

Antennas

FM: Telescopic antenna
AM: Built-in ferrite bar antenna

General

Speaker

Full range: 5.7 cm dia., 2.7 Ω , cone type (2)

Outputs

Headphones jack (stereo minijack)
For 8 - 32 ohms impedance headphones

Power output

1 W + 1 W (at 2.7 Ω , 10 % harmonic distortion in AC operation)

Power requirements

DC IN 6 V accepts:
Supplied AC power adaptor for use with 110-120 V, 220-240 V AC selectable, 50/60 Hz (Tourist model), with 120 V AC, 60 Hz (US model), with 230 V AC, 50 Hz (Other models), 6 V DC, 4 size AA (R6) batteries

Power consumption

DC 11.5 W (US model)
DC 13 W (except US model)

Battery life

When playing a CD:
Sony R6P: approx. 2 hours
Sony alkaline LR6: approx 4 hours

Dimensions

Approx. 315 \times 131 \times 70 mm (w/h/d)
(12 $\frac{3}{8}$ \times 5 $\frac{1}{4}$ \times 2 $\frac{7}{8}$ inches) (incl. projecting parts)

Mass

Approx. 920 g (2 lb.) (incl. batteries)

Supplied accessory

AC power adaptor (1)

Design and specifications are subject to change without notice.

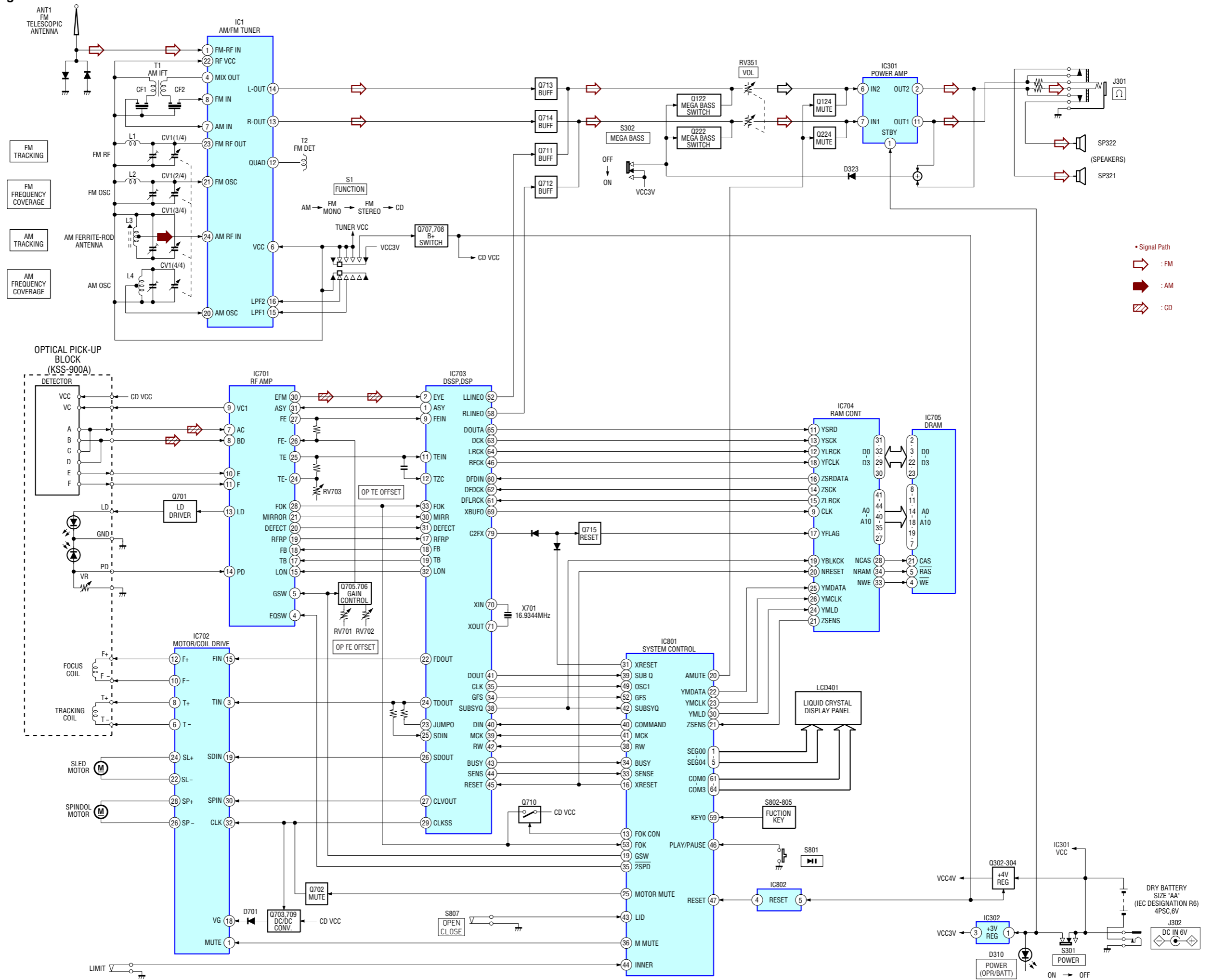
PERSONAL AUDIO SYSTEM

9-873-683-03
2003K16-1
© 2003.11

Sony Corporation
Personal Audio Company
Published by Sony Engineering Corporation

SONY®

4-2. Block Diagram



4-6. Schematic Diagram – CD Section (1/2) – • See page 21, 22 for IC Block Diagrams. • See page 11 for Waveforms.

